

# Customer Information Sheet

DRAWING No.: H8505-XX

SHEET 2 OF 2

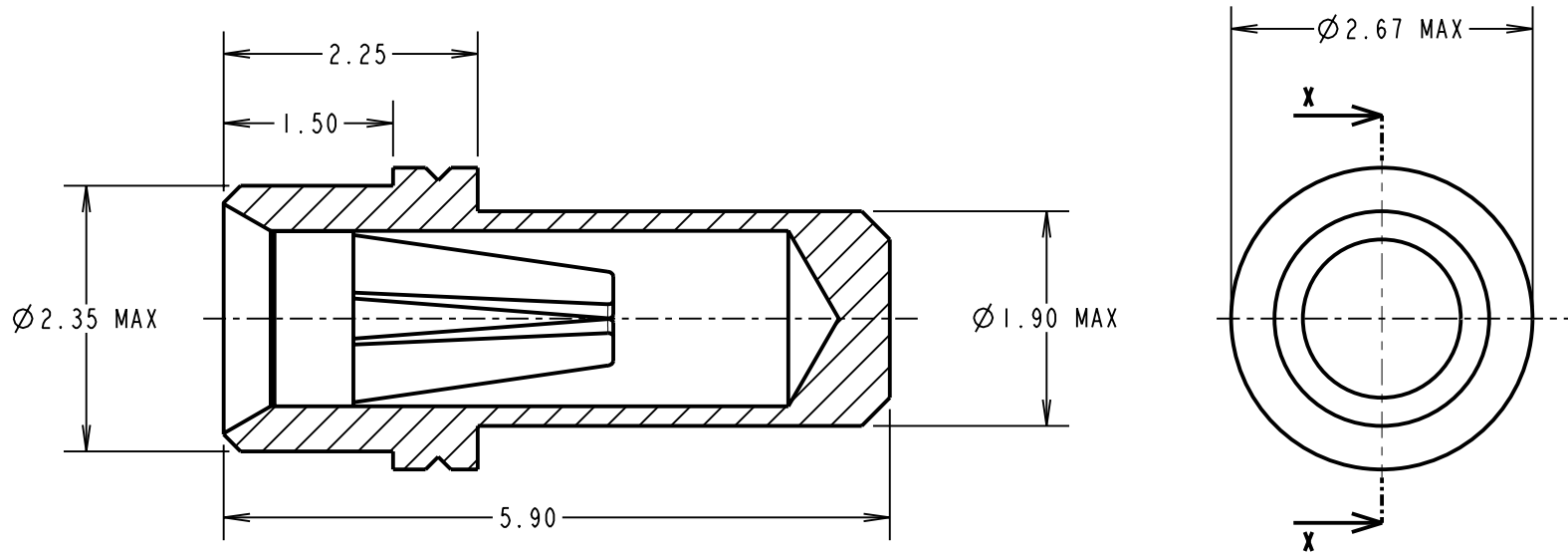
IF IN DOUBT - ASK

©

NOT TO SCALE

THIRD ANGLE PROJECTION

ALL DIMENSIONS IN mm



ORDER CODE:  
**H8505-XX**

FINISH: \_\_\_\_\_  
 01 = 100% TIN SHELL, GOLD CLIP  
 05 = GOLD SHELL, GOLD CLIP  
 46 = 100% TIN SHELL, 100% TIN CLIP

**SPECIFICATION:**

**MATERIAL:**  
 CONTACT SHELL = BRASS  
 CONTACT CLIP = BERYLLIUM COPPER

**FINISH:**  
 01 = 4µ 100% TIN SHELL, 0.15µ GOLD CLIP  
 05 = 0.1µ GOLD SHELL, 0.15µ GOLD CLIP  
 46 = 4µ 100% TIN SHELL, 3µ 100% TIN CLIP

**ELECTRICAL:**  
 CURRENT RATING AT 25°C = 10A MAX  
 CURRENT RATING AT 85°C = 7.5A MAX  
 CONTACT RESISTANCE = 25 mΩ MAX

**MECHANICAL:**  
 INSERTION FORCE (∅0.8mm GAUGE) = 5N MAX, 1.5N MIN  
 WITHDRAWAL FORCE (∅0.8mm GAUGE) = 3.0N MAX, 1.0N MIN  
**DURABILITY:**

01, 05 = 1000 OPERATIONS  
 46 = 100 OPERATIONS

**ENVIRONMENTAL:**  
 OPERATING TEMPERATURE = -55°C TO +125°C

**PACKING:**  
 BAG

SECTION X-X

**NOTES:**

- FOR ELECTRICAL/MECHANICAL SPECIFICATION, SEE COMPONENT SPECIFICATION C010XX (LATEST ISSUE).
- MAXIMUM PIN LENGTH = 4.85mm.
- RECOMMENDED MOUNTING HOLE SIZE = ∅2.01-1.91mm.
- RECOMMENDED MATING PIN SIZE = ∅0.85-0.60mm.
- MAXIMUM CONTACT DEPTH = 3.30mm.

CP	11	17.12.09	10616
NAME	ISS.	DATE	C/NOTE
APPROVED:		C.PENROSE	
CHECKED:		R.ADDE	
DRAWN:		A. J. FILLINGHAM	
CUSTOMER REF.:			
ASSEMBLY DRG:			

**HARWIN**

THIS DRAWING AND ANY INFORMATION OR DESCRIPTIVE MATTER SET OUT HEREON ARE CONFIDENTIAL AND COPYRIGHT PROPERTY OF THE HARWIN GROUP AND MUST NOT BE DISCLOSED, LOANED, COPIED OR USED FOR MANUFACTURING, TENDERING OR FOR ANY OTHER PURPOSE WITHOUT THEIR WRITTEN PERMISSION.

**TOLERANCES**

X. = ±1mm  
 X.X = ±0.25mm  
 X.XX = ±0.10mm  
 X.XXX = ±0.01mm

ANGLES = ±5°

UNLESS STATED

**MATERIAL:**

SEE ABOVE

FINISH: SEE ABOVE

S/AREA:

mm<sup>2</sup>

**TITLE:**

∅0.8mm SOCKET ASSEMBLY

DRAWING NUMBER:

**H8505-XX**

HARWIN USA  
 TEL: 603 893 5376  
 FAX: 603 893 5396  
 mis@harwin.com

HARWIN Europe (UK)  
 TEL: 023 9231 4545  
 FAX: 023 9231 4590  
 mis@harwin.co.uk

HARWIN Asia  
 TEL: +65 6 779 4909  
 FAX: +65 6 779 3868  
 mis@harwin.com.sg

SHT  
 2 OF 2